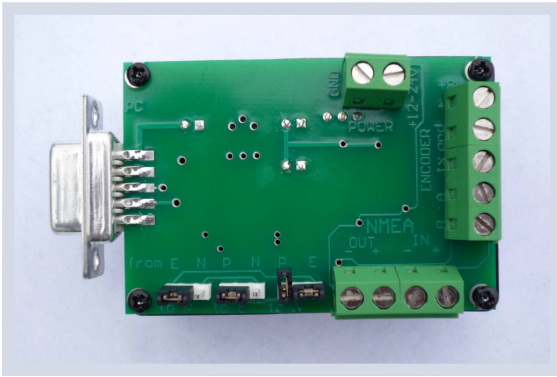


SERIAL INTERFACE



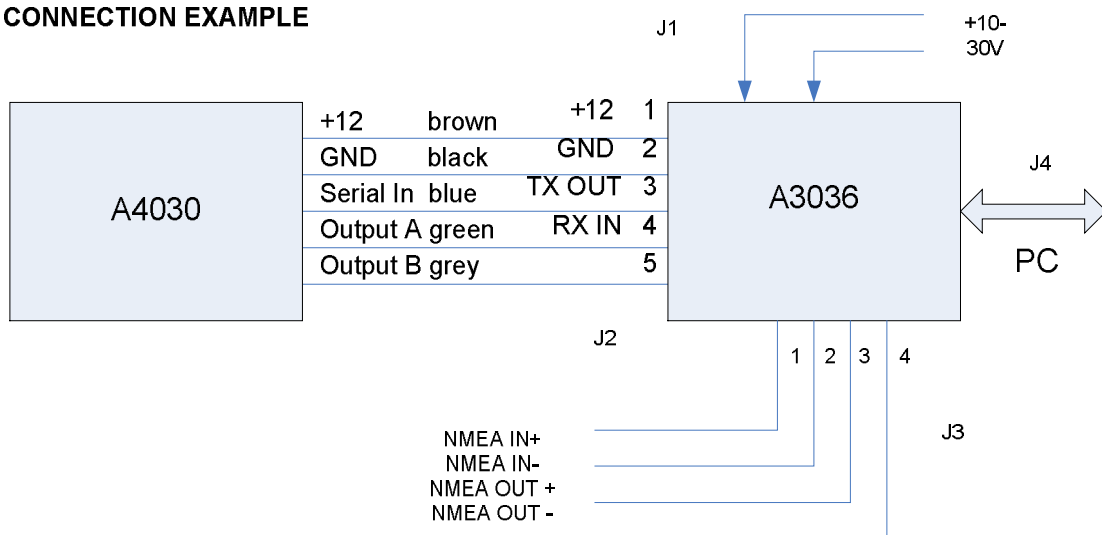
FEATURES

- Converts 5V serial to RS232
- Converts RS232 to NMEA-0183
- Converts NMEA-0183 to 5V serial
- Screw terminals
- Plugs directly into 9p in D
- Powered from Sub System power

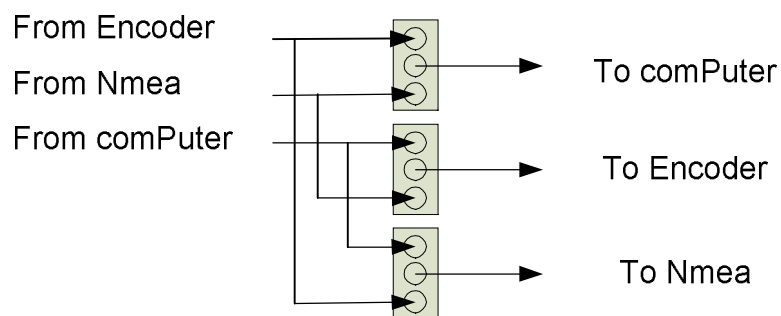
APPLICATIONS

- Autonnic Sub-systems

CONNECTION EXAMPLE



LINKS SET SERIAL DATA



ORDER INFORMATION

PART	DESCRIPTION
A3036	Sub-system interface



ABSOLUTE MAXIMUM RATINGS

PARAMETER	DESCRIPTION	NOTES	CONDITIONS	VALUE	UNIT
Q _{STOR}	Storage Temp Range			-20 to +100	°C
Q _{OPER}	Operating Temp Range			-20 to +65	°C
	Shock Resistance		Single impact	0	G
	Vibration Resistance		60Hz, 10 Minutes	±11	G
	Climate Test		+71°C, 95% Humidity -20°C, 85% Humidity	6	Hours
V _{CC}	Supply Voltage			16	Vdc

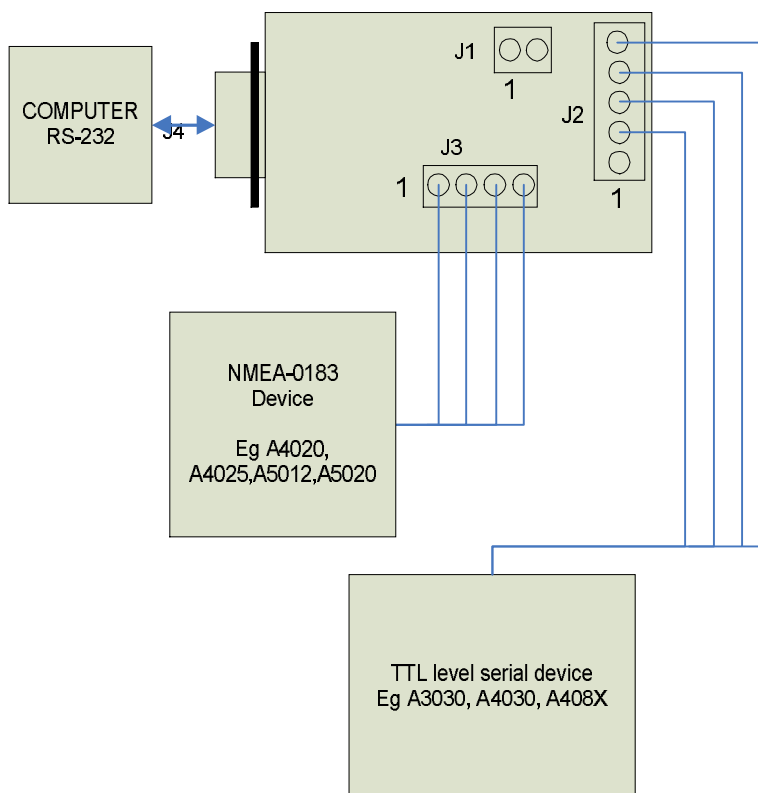
TERMINAL CONNECTIONS

J1	FUNCTION
1	GROUND
2	10 to 30V POWER IN +

J2	FUNCTION
1	8V POWER OUT +
2	GROUND
3	SS Serial Output
4	SS Serial Input
5	Spare

J3	FUNCTION
1	NMEA OUT -
2	NMEA OUT +
3	NMEA IN-
4	NMEA IN +

J4 is RS-232 9 pin D connector



FLUXGATE WORLD®